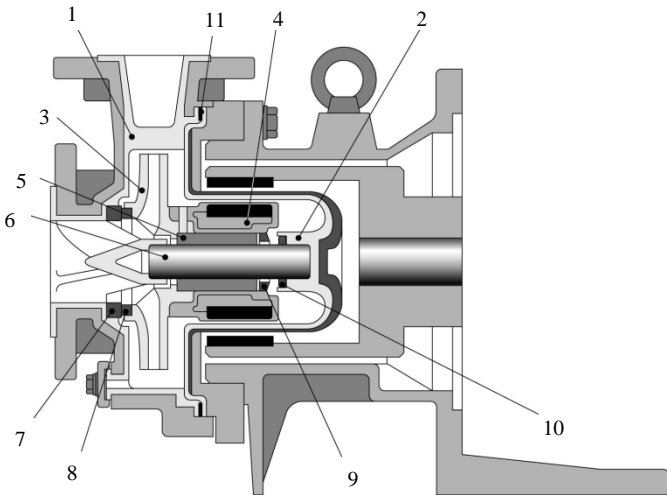


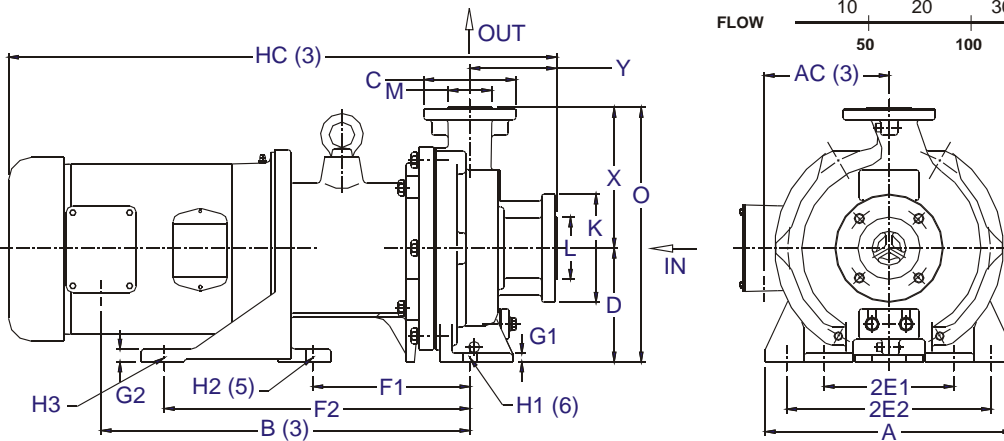
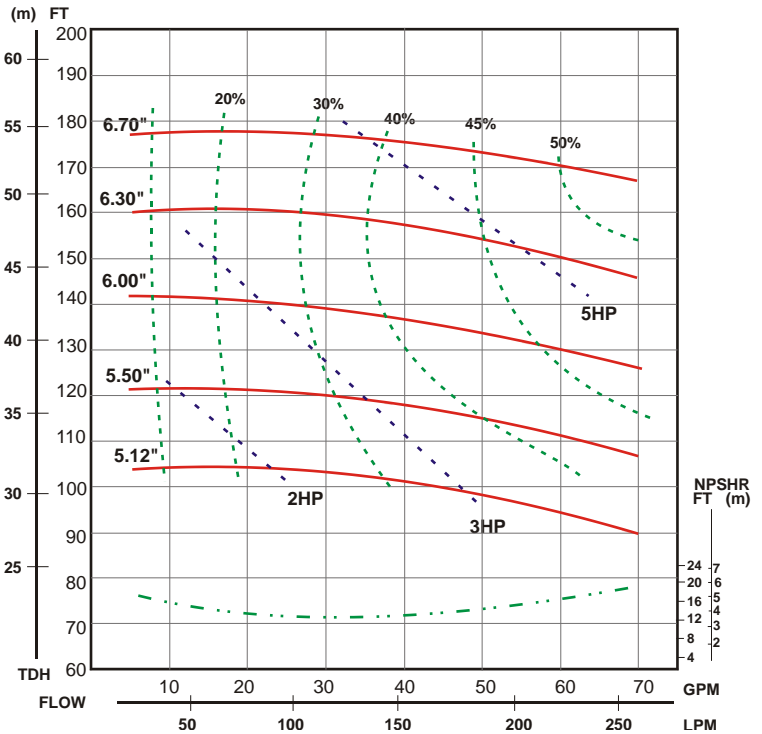
MDM-1518 5 HP

- ❑ Non-contact Bearing System allows dry run operation (CF models only)
- ❑ Simple, rugged design
- ❑ Corrosion resistant ETFE & PFA internals
- ❑ Spline/pinned impeller design (pat. pending) provides positive locking of impeller/inner magnet while still allowing for individual replacement of each part
- ❑ PFA version temperatures to 302°F



Part	Material		
	ECF	EKK	PKK
1 Front casing	CFRETFE (carbon fiber reinforced ETFE)		PFA
2 Containment shell			
3 Impeller			
4 Inner magnet assy			
5 Bearing	High density carbon	SiC	
6 Shaft	High purity alumina ceramic		
7 Front outboard thrust collar	PTFE		
8 Front inboard thrust collar			
9 Rear inboard thrust collar	High purity alumina ceramic		
10 Rear outboard thrust collar	PTFE (filler charged)	PTFE	
11 Gasket	PTFE		

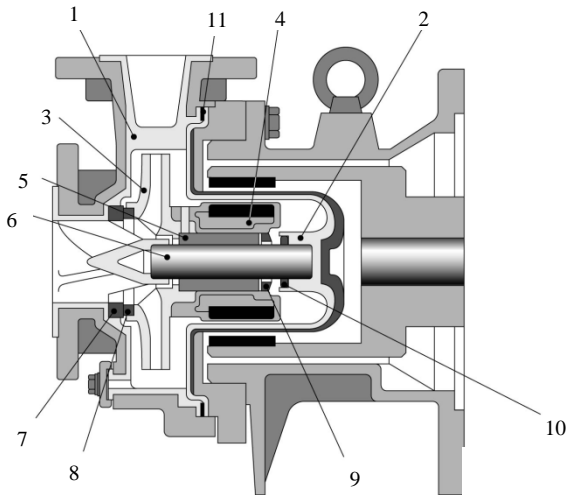
Dimensions (inches) and Specifications
Note: Will vary by motor manufacturer



A	AC(3)	B(3)	D	2E1	2E2	F1	F2	G1	G2	H1 (6)	H2 (5)	H3	HC (3)	O	X	Y
11.42	5.76	17.01	5.26	5.98	9.45	7.24	14.09	0.39	0.59	0.63	0.63	0.63	25.29	11.76	6.50	4.00
HP/Frame		Connection Sizes		Min Flow/Max Head		Standard Capacity		Max Capacity		Pump Weight*		K	L	C	M	
5/184TC		1.5 x 1		5/178		53		70		132		5.00	2.87	4.25	2.00	

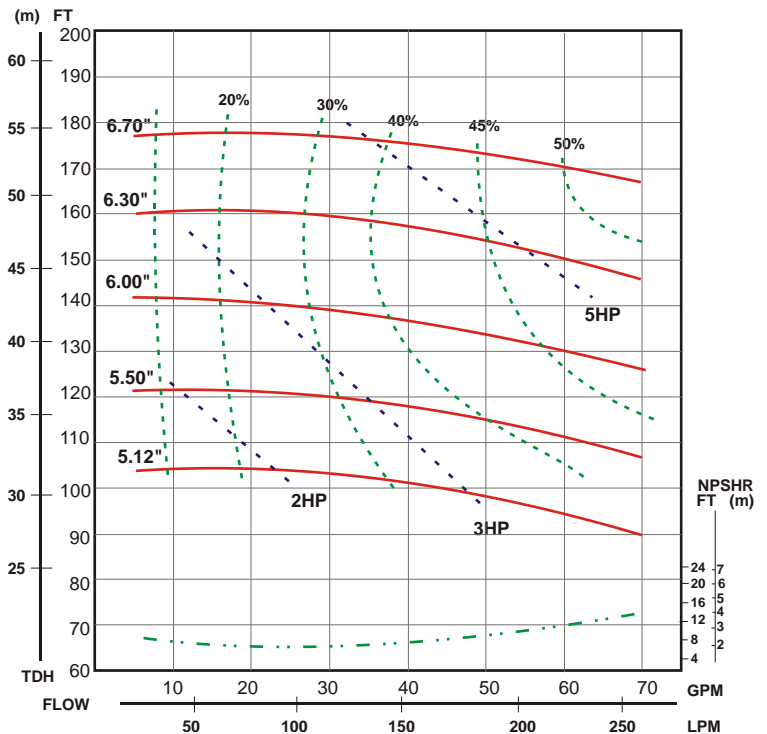
*Pump end only. Does not include motor.

MDM-1518 7.5/10 HP

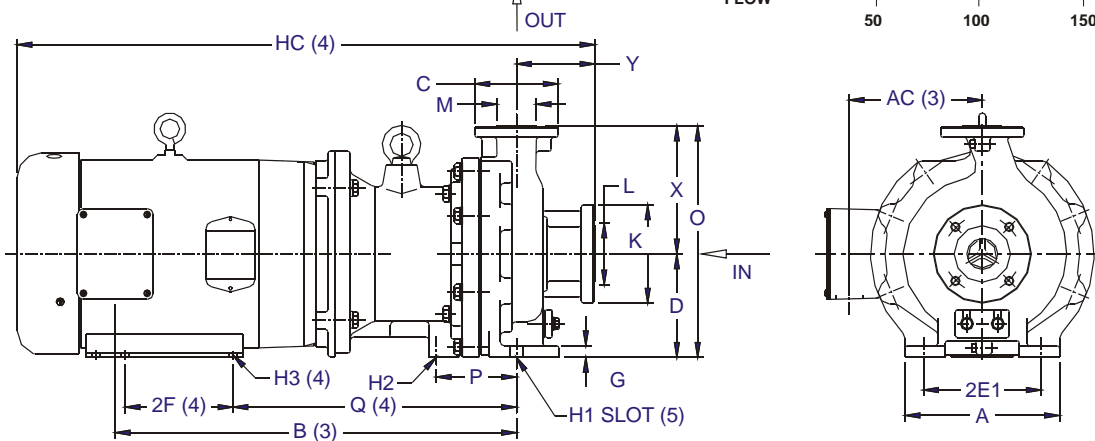


- ❑ Non-contact Bearing System allows dry run operation (CF models only)
- ❑ Simple, rugged design
- ❑ Corrosion resistant ETFE & PFA internals
- ❑ Spline/pinned impeller design (pat. pending) provides positive locking of impeller/inner magnet while still allowing for individual replacement of each part
- ❑ PFA version temperatures to 302°F

Part	Material		
	ECF	EKK	PKK
1 Front casing	CFRETFE (carbon fiber reinforced ETFE)		PFA
2 Containment shell			
3 Impeller			
4 Inner magnet assy			
5 Bearing	High density carbon	SiC	
6 Shaft	High purity alumina ceramic		
7 Front outboard thrust collar	PTFE		
8 Front inboard thrust collar			
9 Rear inboard thrust collar	High purity alumina ceramic		
10 Rear outboard thrust collar	PTFE (filler charged)	PTFE	
11 Gasket	PTFE		



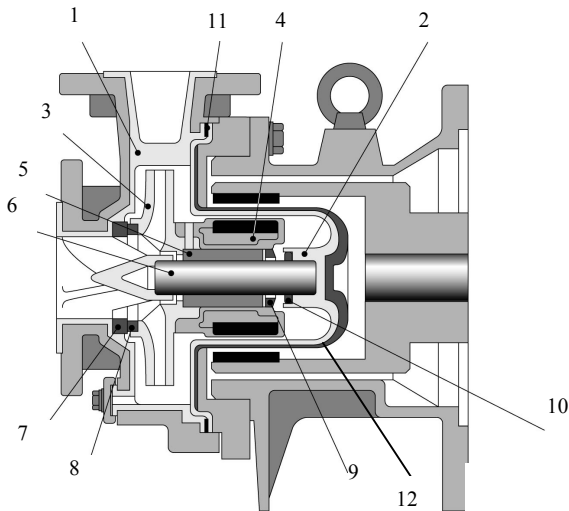
Dimensions (inches) and Specifications
Note: Will vary by motor manufacturer



A	AC(3)	B(3)	D	2E1	2E2	F1	F2	G1	G2	H1 (6)	H2 (5)	H3	HC (3)	O	X	Y
11.42	5.76	17.01	5.26	5.98	9.45	7.24	14.09	0.39	0.59	0.63	0.63	0.63	25.29	11.76	6.50	4.00
HP/Frame			Connection Sizes		Min Flow/Max Head		Standard Capacity		Max Capacity		Pump Weight*		K	L	C	M
7.5/213TC & 10/215TC			1.5 x 1		5/120		20		60		110		5.00	2.87	4.25	2.00

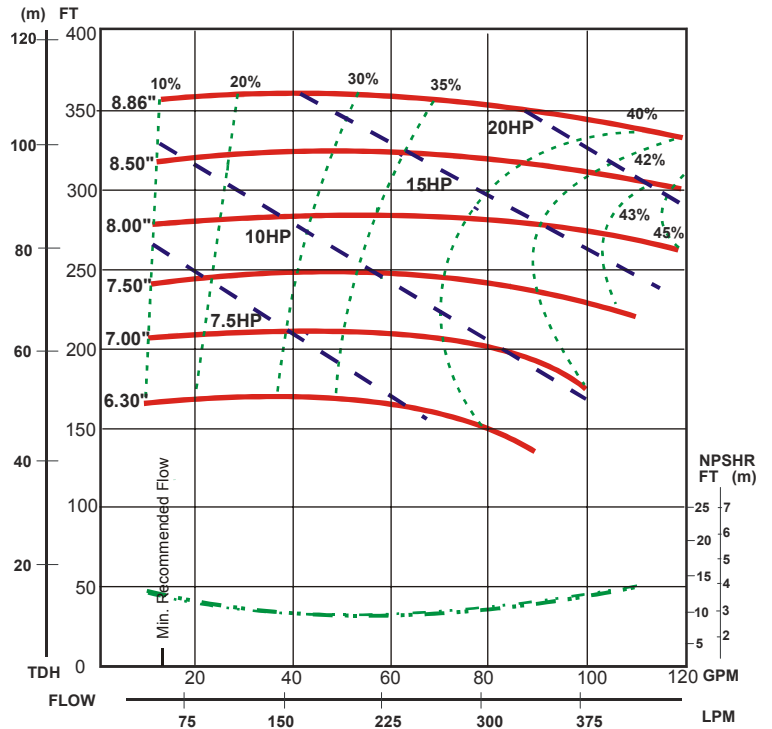
* Pump end only. Does not include motor.

MDM-1518-2 7.5/10HP



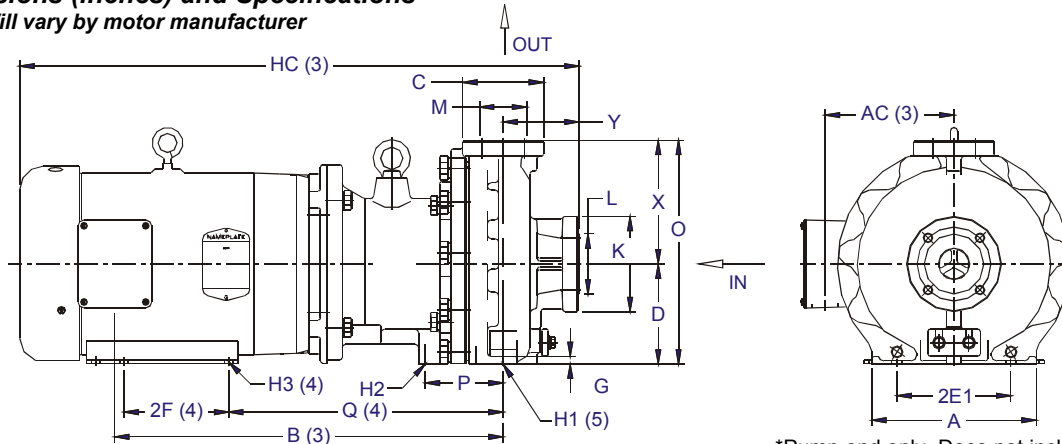
- ❑ Exceeds ANSI performance standards in ANSI dimensional design
- ❑ Simple, rugged, modular design
- ❑ Dual back pull-out
- ❑ Non-contact Bearing System allows dry run operation (CF models only)

Part	Material		
	ECF	EKK	PKK
1 Front casing	CFRETFE (carbon fiber reinforced ETFE)		PFA
2 Containment shell			
3 Impeller			
4 Inner magnet assy			
5 Bearing	High density carbon	SiC	
6 Shaft	High purity alumina ceramic		
7 Front outboard thrust collar	PTFE		
8 Front inboard thrust collar			
9 Rear inboard thrust collar	High purity alumina ceramic		
10 Rear outboard thrust collar	PTFE (filler charged)	PTFE	
11 Gasket	PTFE		
12 Support	Kevlar®		



Dimensions (inches) and Specifications

Note: Will vary by motor manufacturer

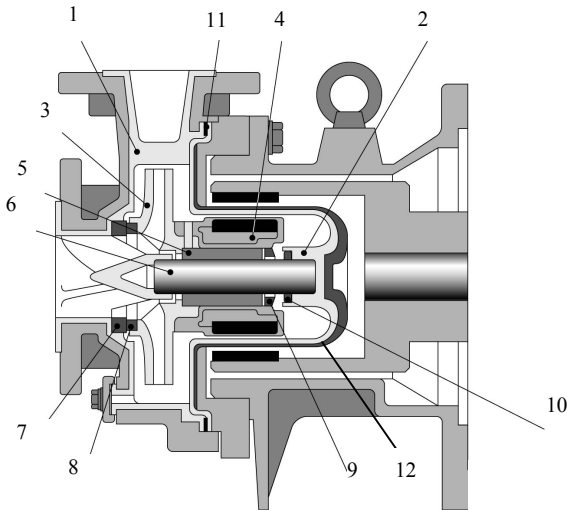


*Pump end only. Does not include motor.

A	AC(3)	B(3)	D	2E1	2F(4)	G	H1(5)	H2	H3(4)	HC(3)	O	P	Q(4)	X	Y
8.66	6.79	20.47	5.26	6.00	5.50/7.00	0.39	0.55	3/8-16UNC	0.41	29.47	11.76	4.09	14.46	6.50	4.00
HP/Frame		Connection Sizes		Min Flow/Max Head		Standard Capacity		Max Capacity		Pump Weight*		K	L	C	M
7.5/213TC & 10/215TC		1.5 x 1		13/360		90		120		143		5.00	3.15	4.25	2.48

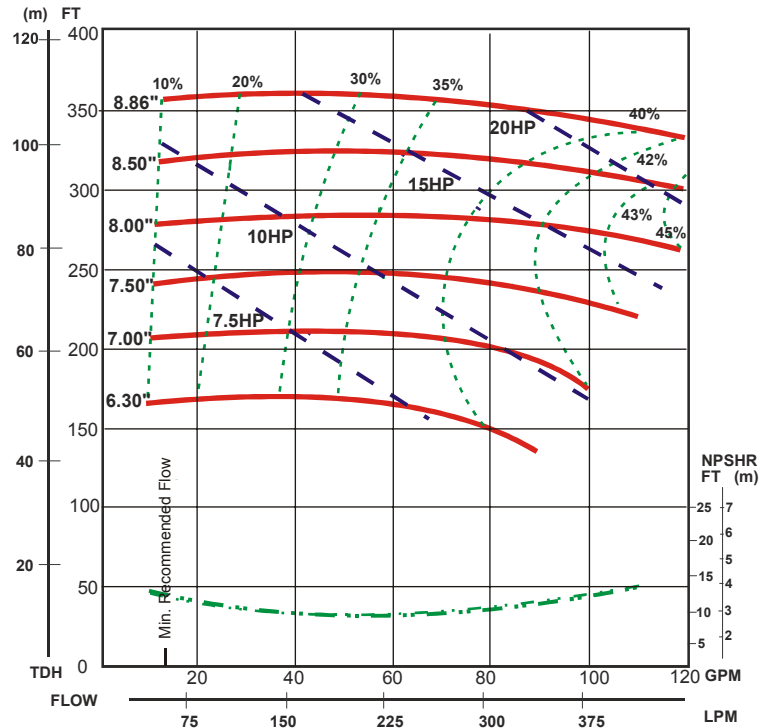


MDM-1518-2 15/20HP



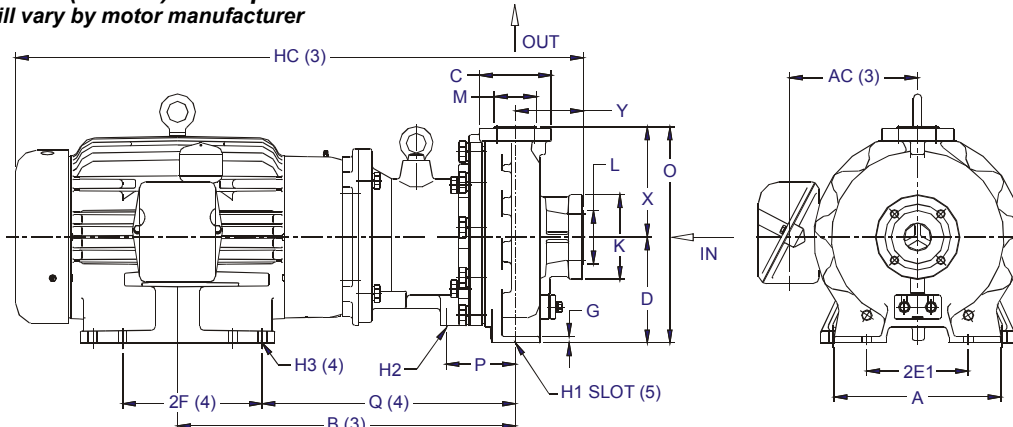
- Exceeds ANSI performance standards in ANSI dimensional design
- Simple, rugged, modular design
- Dual back pull-out
- Non-contact Bearing System allows dry run operation (CF models only)

Part	Material		
	ECF	EKK	PKK
1 Front casing	CFRETFE (carbon fiber reinforced ETFE)		PFA
2 Containment shell			
3 Impeller			
4 Inner magnet assy			
5 Bearing	High density carbon	SiC	
6 Shaft	High purity alumina ceramic		
7 Front outboard thrust collar	PTFE		
8 Front inboard thrust collar			
9 Rear inboard thrust collar	High purity alumina ceramic		
10 Rear outboard thrust collar	PTFE (filler charged)	PTFE	
11 Gasket	PTFE		
12 Support	Kevlar®		



Dimensions (inches) and Specifications

Note: Will vary by motor manufacturer

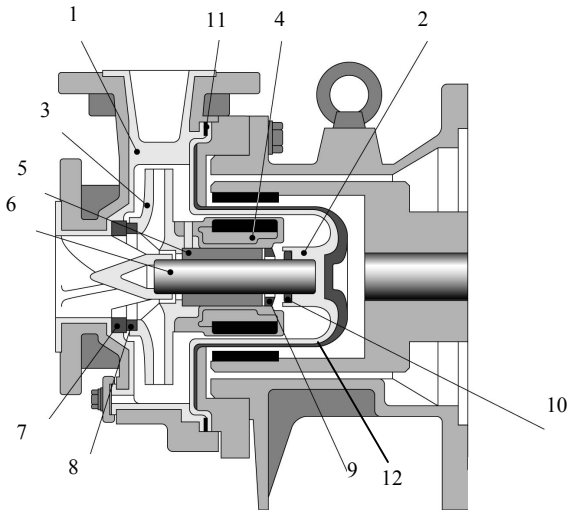


A	AC(3)	B(3)	D	2E1	2F(4)	G	H1(5)	H2	H3(4)	HC(3)	O	P	Q(4)	X	Y
9.84	7.56	19.97	6.25	6.00	8.25/10.00	0.39	0.55	3/8-16 UNC	0.52	33.54	12.75	4.09	14.97	6.50	4.00
HP/Frame		Connection Sizes		Min Flow/Max Head		Standard Capacity		Max Capacity		Pump Weight*		K	L	C	M
15/254TC & 20/256TC		1.5 x 1		13/360		90		120		154		5.00	3.15	4.25	2.48

Pump end only. Does not include motor.

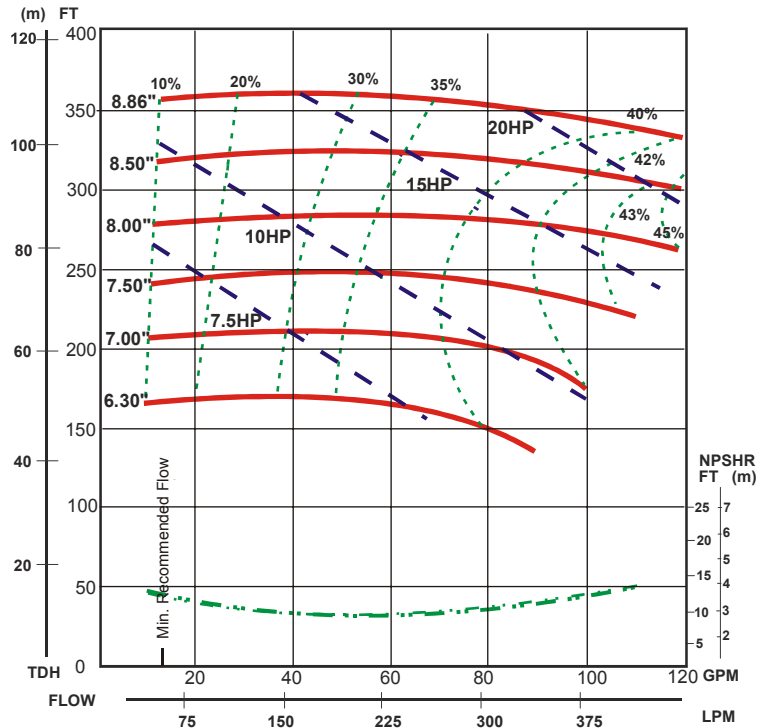


MDM-1518-2 25HP



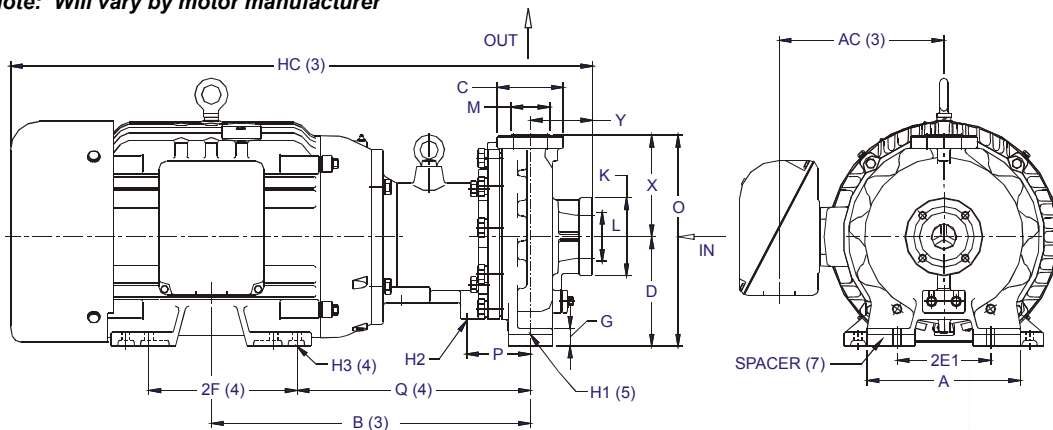
- Exceeds ANSI performance standards in ANSI dimensional design
- Simple, rugged, modular design
- Dual back pull-out
- Non-contact Bearing System allows dry run operation (CF models only)

Part	Material		
	ECF	EKK	PKK
1 Front casing	CFRETFE		PFA
2 Containment shell	(carbon fiber reinforced ETFE)		
3 Impeller			
4 Inner magnet assy			
5 Bearing	High density carbon	SiC	
6 Shaft	High purity alumina ceramic		
7 Front outboard thrust collar			
8 Front inboard thrust collar	PTFE		
9 Rear inboard thrust collar	High purity alumina ceramic		
10 Rear outboard thrust collar	PTFE (filler charged)	PTFE	
11 Gasket	PTFE		
12 Support	Kevlar®		



Dimensions (inches) and Specifications

Note: Will vary by motor manufacturer



A	AC(3)	B(3)	D	2E1	2F(4)	G	H1(5)	H2	H3(4)	HC(3)	O	P	Q(4)	X	Y
9.84	10.56	20.47	7.00	6.00	9.50	1.14	0.55	3/8-16 UNC	0.52	37.35	13.50	4.09	14.97	6.50	4.00
HP/Frame		Connection Sizes		Min Flow/Max Head		Standard Capacity		Max Capacity		Pump Weight*		K	L	C	M
25/284TSC		1.5 x 1		13/360		90		120		154		5.00	3.15	4.25	2.48

*Pump end only. Does not include motor.

IF20527.C 5/06

5 BOYNTON ROAD HOPPING BROOK PARK HOLLISTON, MA 01746-1446 USA
 TEL: 508-429-1440 FAX: 508-429-1386 WEBSITE: WWW.IWAKIAMERICA.COM