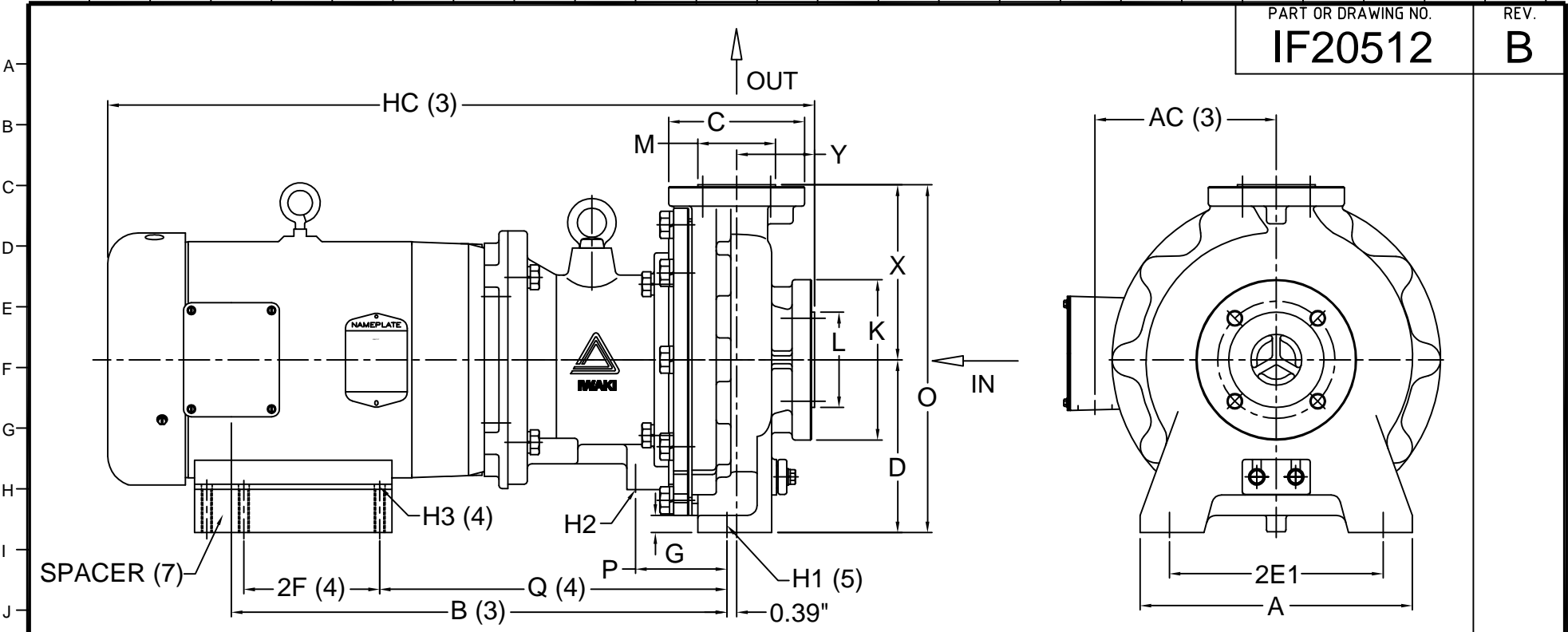



1 2 3 4 5 6 7 8 9 10 11 12 13 14 15 16 17 18 19 20 21 22 23 24 25

PART OR DRAWING NO. **IF20512** REV. **B**



PUMP DIMENSIONS (1)															
A	AC (3)	B (3)	D	2E1	2F (4)	G	H1 (5)	H2	H3 (4)	HC (3)	O	P	Q (4)	X	Y
11.02"	7.34"	20.07"	7.00"	8.66"	5.50"/7.00"	0.70"	0.55"	3/8"-16 UNC	0.41"	28.62"	14.09"	3.70"	14.07"	7.09"	3.15"

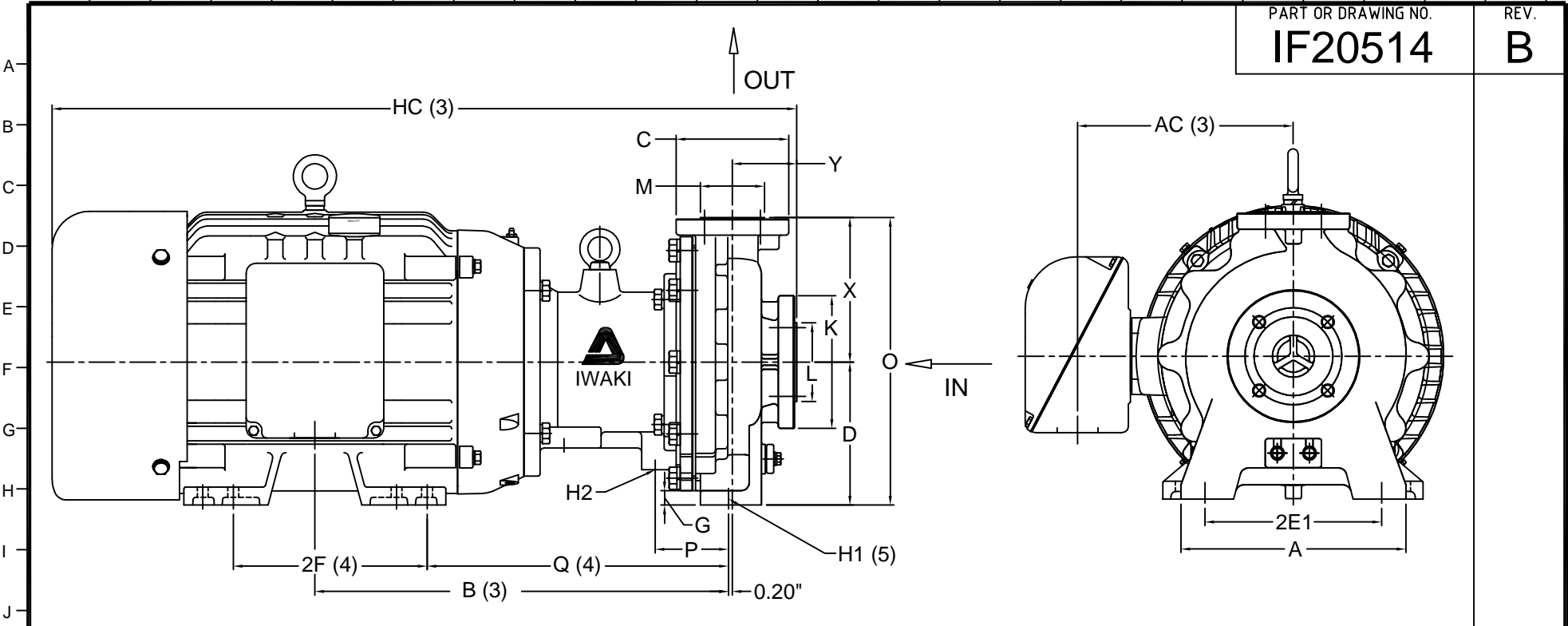
MODEL	HP/ FRAME	PUMP FLANGES (2)		DIMENSIONS			
		SUCTION	DISCHARGE	K	L	C	M
MDM-2158	7.5/213TC	2"	1 1/2"	6.50"	3.86"	5.51"	3.15"
	10/215TC						

10622 CENTERLINE HEIGHT CHANGED TO 7.00" 9/7/04										B
ECO#		DESCRIPTION				DATE				REV. LTR.
PUMP WEIGHT		WET-END/BEARING MATERIALS								IF20512
154 LB		CFRETFE OR PFA W/SIC								
EDT	12	07	04	CJC	1					
DRAWN	DAY	MO.	YR.	RELEASED	SHEET NO.					
				5 Boynton Rd. Hopping Brook Park Holliston, MA 01746 (508) 429-1440 www.IwakiAmerica.com						
TITLE										B
MDM-2158 (7.5 & 10 HP)										
Dimensional Drawing										REV.

- NOTES AND REFERENCES:**
- (1) ALL DIMENSIONS IN INCHES. ALL TOLERANCES ±0.125", CONSULT IWAKI AMERICA FOR MORE DETAILS.
 - (2) BOLT HOLE LOCATIONS OF SUCTION AND DISCHARGE FLANGES CONFORM TO ANSI B16.5 150 LB STANDARD. THE 1.5" AND 2" FLANGE BOLT HOLES HAVE 1/2" -13 AND 5/8"-11 UNC THREADS RESPECTIVLY.
 - (3) DIMENSION MAY VARY BASED ON MOTOR MANUFACTURER.
 - (4) NEMA MG 1-1993, PART 4 USED FOR REFERENCE.
 - (5) SLOTS ARE OPEN ENDED TO REAR OF FRAME.
 - (6) DRAWN PER 52B402900 (MDM2158_KKF07/10A-_2)
 - (7) SPACER MDM8007, 1.75" HEIGHT WITH 3/8"-16 UNC TAPPED HOLES.

PART OR DWG. NO. **IF20512** REV. **B**

PART OR DRAWING NO. **IF20514** REV. **B**



PUMP DIMENSIONS (1)															
A	AC (3)	B (3)	D	2E1	2F (4)	G	H1 (5)	H2	H3 (4)	HC (3)	O	P	Q (4)	X	Y
11.02"	10.56"	20.27"	7.00"	8.66"	9.50"/11.00"	0.70"	0.55"	3/8"-16 UNC	0.52"	36.50"	14.09"	3.58"	14.77"	7.09"	3.15"

MODEL	HP/ FRAME	PUMP FLANGES (2)		DIMENSIONS			
		SUCTION	DISCHARGE	K	L	C	M
MDM-2158	25/284TSC	2"	1 1/2"	6.50"	3.86"	5.51"	3.15"

ECO#	DESCRIPTION	DATE	REV. LTR.
10622	CENTERLINE HEIGHT CHANGED TO 7.00"	9/7/04	B
PUMP WEIGHT	WET-END/BEARING MATERIALS		
165 LB	CFRETFE OR PFA W/SIC		
EDT	12 07 04	CJC	1
DRAWN	DAY	MO.	YR.
	RELEASED	SHEET NO.	

NOTES AND REFERENCES:

- (1) ALL DIMENSIONS IN INCHES. ALL TOLERANCES $\pm .125"$, CONSULT IWAKI AMERICA FOR MORE DETAILS.
- (2) BOLT HOLE LOCATIONS OF SUCTION AND DISCHARGE FLANGES CONFORM TO ANSI B16.5 150 LB STANDARD. THE 1.5" AND 2" FLANGE BOLT HOLES HAVE 1/2" -13 AND 5/8" -11 UNC THREADS RESPECTIVLY.
- (3) DIMENSION MAY VARY BASED ON MOTOR MANUFACTURER.
- (4) NEMA MG 1-1993, PART 4 USED FOR REFERENCE.
- (5) SLOTS ARE OPEN ENDED TO REAR OF FRAME.
- 6 DRAWN PER 52B402902 (MDM2158_KKF25A-_2)

IWAKI AMERICA
www.IwakiAmerica.com

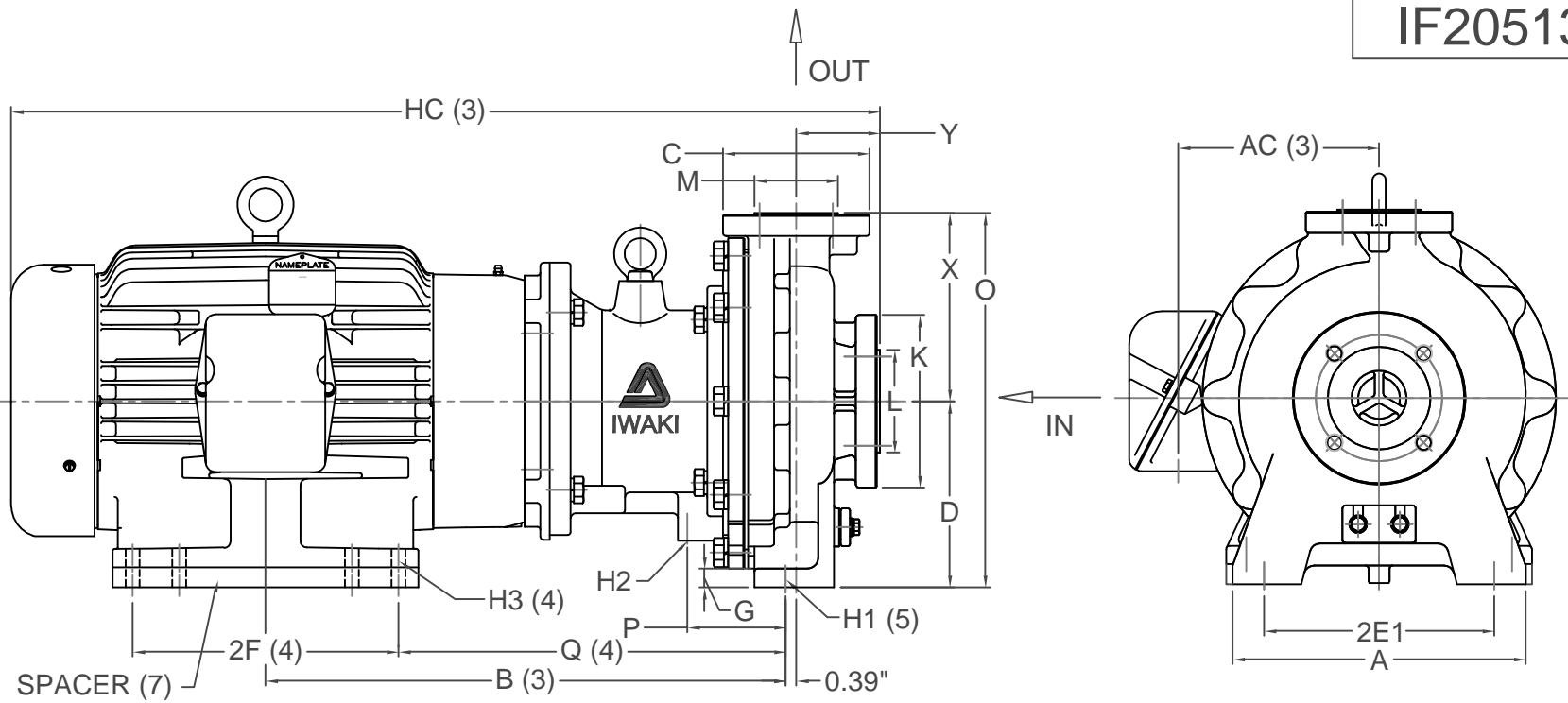
5 Boynton Rd.
Hopping Brook Park
Holliston, MA 01746
(508) 429-1440

TITLE **MDM-2158 (25 HP)**
Dimensional Drawing

PART OR DWG. NO. **IF20514** REV. **B**

PART OR DRAWING NO. **IF20513** REV. **C**

A
B
C
D
E
F
G
H
I
J
K
L
M
N
O
P
Q
R
S



PUMP DIMENSIONS (1)															
A	AC (3)	B (3)	D	2E1	2F (4)	G	H1 (5)	H2	H3 (4)	HC (3)	O	P	Q (4)	X	Y
11.02"	7.56"	19.57"	7.00"	8.66"	8.25"/10.00"	0.70"	0.55"	3/8"-16 UNC	0.52"	32.67"	14.09"	3.70"	14.57"	7.09"	3.15"

MODEL	HP/ FRAME	PUMP FLANGES (2)		DIMENSIONS			
		SUCTION	DISCHARGE	K	L	C	M
MDM-2158	15/254TC	2"	1.5"	6.50"	3.86"	5.51"	3.15"
	20/256TC						

10630 2F DIM. CHANGED TO 10.00" 5/3/05
10622 CENTERLINE HEIGHT CHANGED TO 7.00" 9/7/04

ECO#	DESCRIPTION	DATE	REV.	LTR.
EDT	12 07 04	CJC	1	
DRAWN	DAY MO. YR.	RELEASED	SHEET NO.	

IWAKI AMERICA
www.IwakiAmerica.com

5 Boynton Rd.
Hopping Brook Park
Holliston, MA 01746
(508) 429-1440

TITLE **MDM-2158 (15 & 20 HP)**
Dimensional Drawing

- NOTES AND REFERENCES:**
- (1) ALL DIMENSIONS IN INCHES. ALL TOLERANCES $\pm .125"$, CONSULT IWAKI AMERICA FOR MORE DETAILS.
 - (2) BOLT HOLE LOCATIONS OF SUCTION AND DISCHARGE FLANGES CONFORM TO ANSI B16.5 150 LB STANDARD. THE 1.5" AND 2" FLANGE BOLT HOLES HAVE 1/2" -13 AND 5/8" -11 UNC THREADS RESPECTIVELY.
 - (3) DIMENSION MAY VARY BASED ON MOTOR MANUFACTURER.
 - (4) NEMA MG 1-1993, PART 4 USED FOR REFERENCE.
 - (5) SLOTS ARE OPEN ENDED TO REAR OF FRAME.
 - (6) DRAWN PER 52B402901 (MDM2158_KKF15/20A-_2)
 - (7) SPACER MDM8005, 0.75" HEIGHT WITH 1/2" THROUGH HOLES.

PART OR DWG. NO. **IF20513** REV. **C**