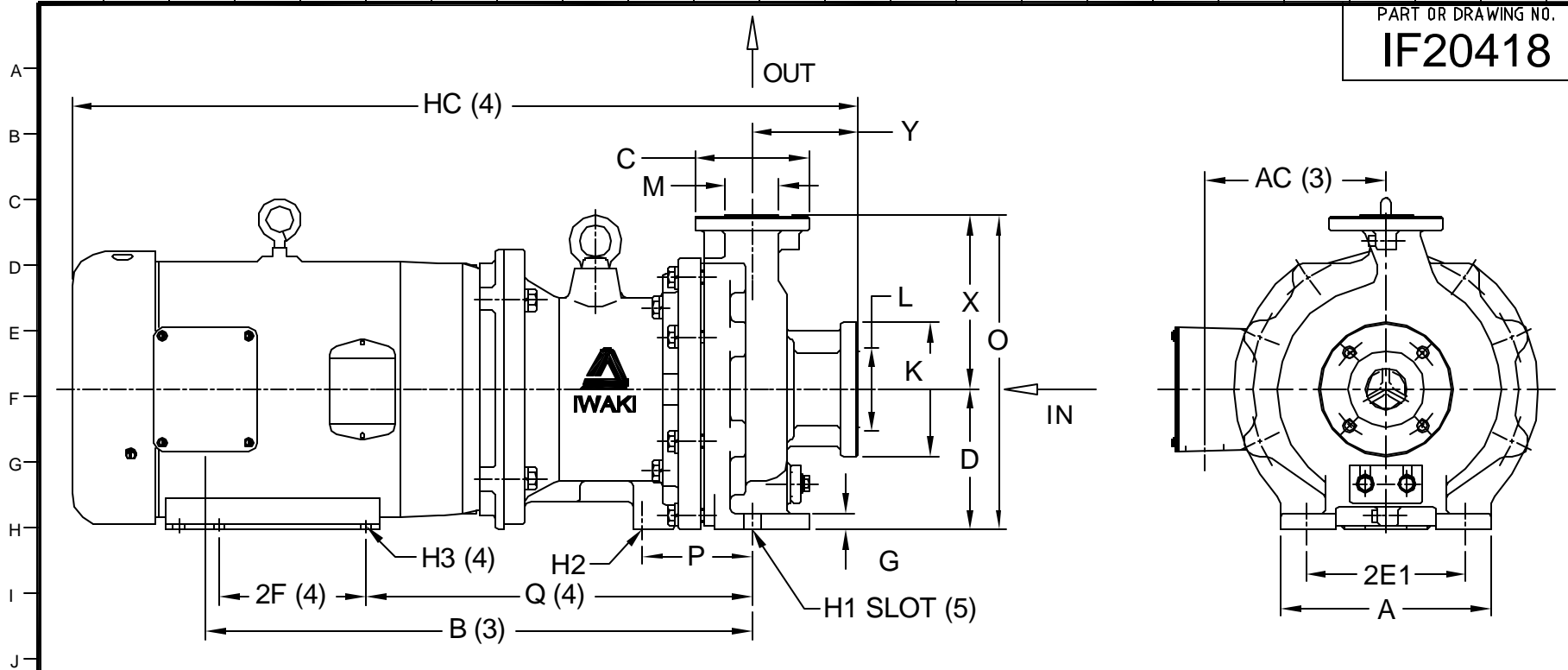


1 2 3 4 5 6 7 8 9 10 11 12 13 14 15 16 17 18 19 20 21 22 23 24 25

PART OR DRAWING NO. **IF20418** REV. **C**



PUMP DIMENSIONS (1)															
A	AC (3)	B (3)	D	2E1	2F (4)	G	H1 (5)	H2	H3 (4)	HC (3)	O	P	Q (4)	X	Y
7.87"	6.79"	20.47"	5.26"	5.98"	5.50"/7.00"	0.59"	0.55"	3/8"-16 UNC	0.41"	29.47"	11.76"	4.09"	14.46"	6.50"	4.00"

MODEL	HP/ FRAME	PUMP FLANGES (2)		DIMENSIONS			
		SUCTION	DISCHARGE	K	L	C	M
<b>MDM-1518</b>	7.5/213TC	1 1/2"	1"	5.00"	3.15"	4.25"	2.01"
	10/215TC						

10619 CHANGED FORMAT AND EDITED: EDT 08-03-04										C	
ECO#		DESCRIPTION				DATE		REV. LTR.			
PUMP WEIGHT		WET-END MATERIALS									
132 LB		CFRETFE OR PFA									
EDT	03	08	04	CJC	1						
DRAWN	DAY	MO.	YR.	RELEASED	SHEET NO.						

**NOTES AND REFERENCES:**

- (1) ALL DIMENSIONS IN INCHES. ALL TOLERANCES  $\pm .125"$ , CONSULT IWAKI AMERICA FOR MORE DETAILS.
- (2) BOLT HOLE LOCATIONS OF SUCTION AND DISCHARGE FLANGES CONFORM TO ANSI B16.5 150 LB STANDARD. FLANGE BOLT HOLES HAVE 1/2" -13 UNC THREADS.
- (3) DIMENSION MAY VARY BASED ON MOTOR MANUFACTURER.
- (4) NEMA MG 1-1993, PART 4 USED FOR REFERENCE.
- (5) SLOTS ARE OPEN ENDED TO SIDE OF FRAME.

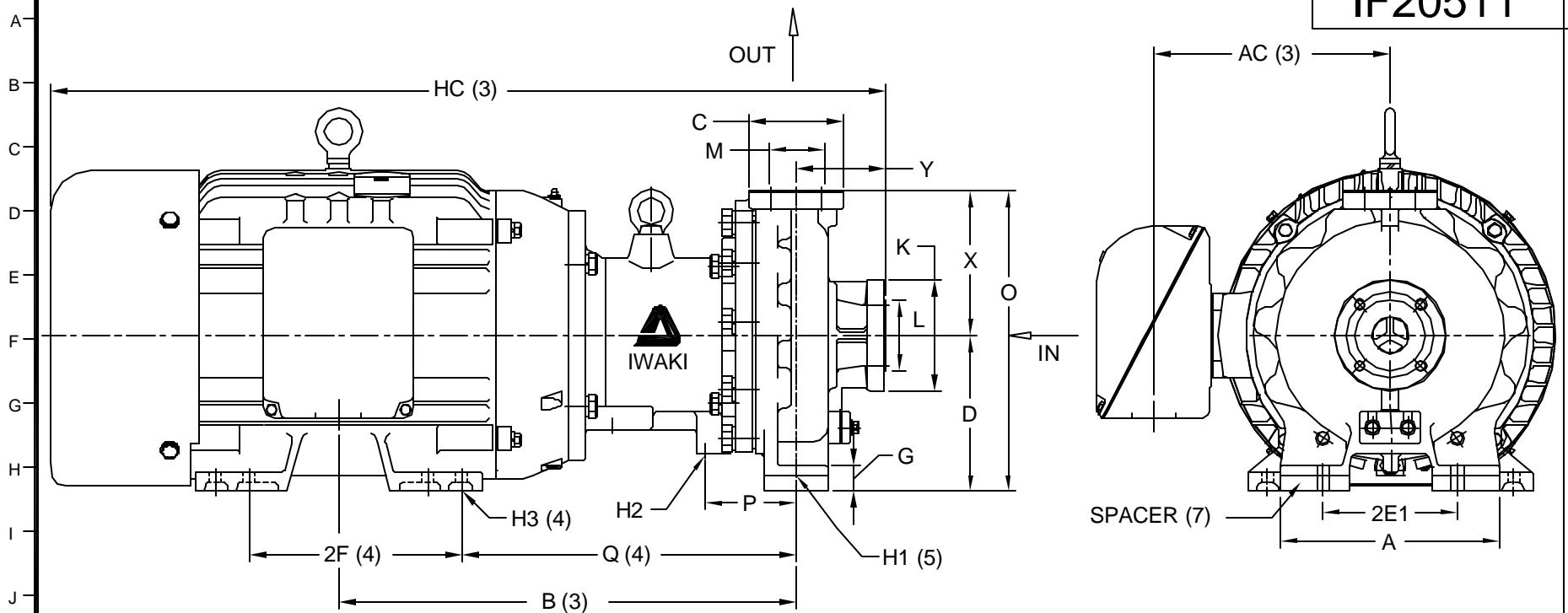
6 PUMP DIMENSIONS BASED ON ANSI B73.3M-1997.  
 7 DRAWN PER 2A401436 (MDM1518- F07A- 2)

TITLE **MDM-1518 (7.5 & 10 HP)** REV. **C**  
 Dimensional Drawing

PART OR DWG. NO. **IF20418**

1 2 3 4 5 6 7 8 9 10 11 12 13 14 15 16 17 18 19 20 21 22 23 24 25

PART OR DRAWING NO. **IF20511** REV. **A**




PUMP DIMENSIONS (1)															
A	AC (3)	B (3)	D	2E1	2F (4)	G	H1 (5)	H2	H3 (4)	HC (3)	O	P	Q (4)	X	Y
9.84"	10.56"	20.47"	7.00"	6.00"	9.50"	1.14"	0.55"	3/8"-16 UNC	0.52"	37.35"	13.50"	4.09"	14.97"	6.50"	4.00"

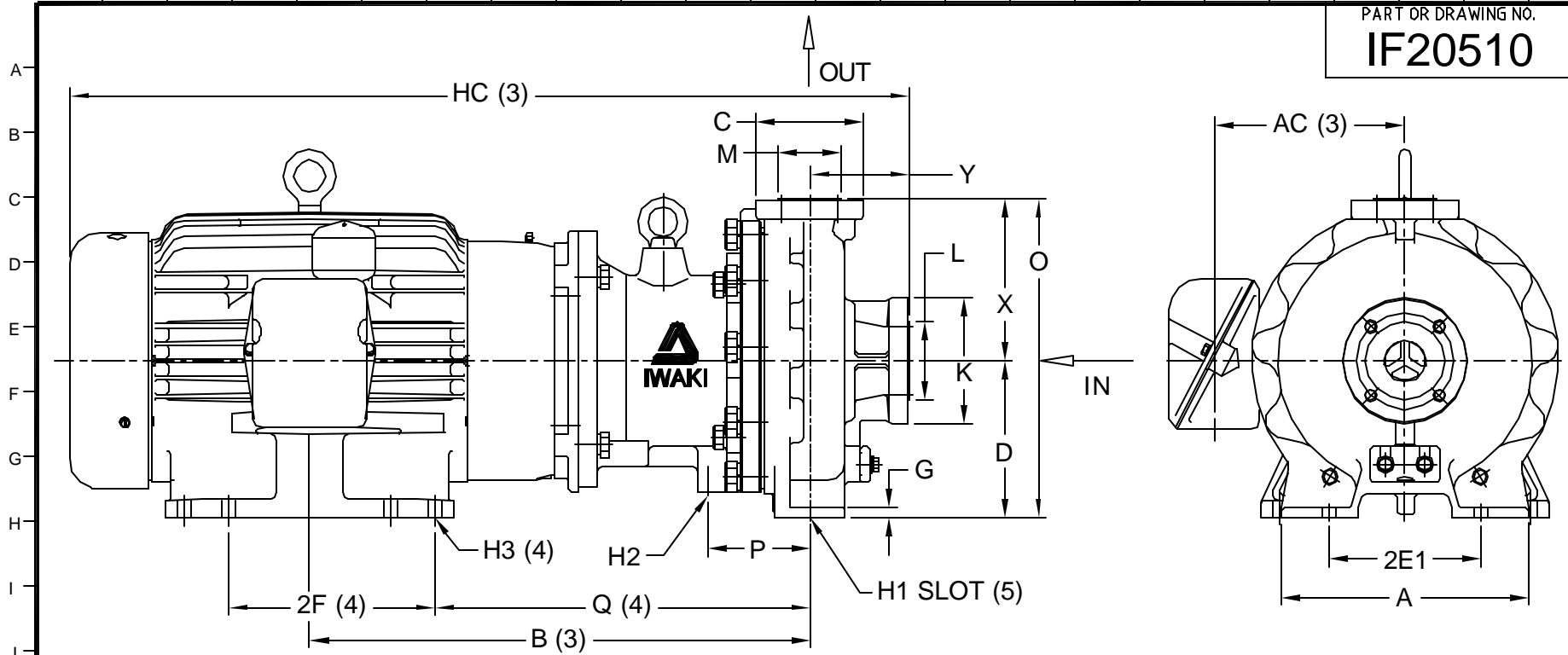
MODEL	HP/ FRAME	PUMP FLANGES (2)		DIMENSIONS			
		SUCTION	DISCHARGE	K	L	C	M
<b>MDM-15182</b>	<b>25/284TSC</b>	1 1/2"	1"	5.00"	3.15"	4.25"	2.48"

**NOTES AND REFERENCES:**

- (1) ALL DIMENSIONS IN INCHES. ALL TOLERANCES ±.125", CONSULT IWAKI AMERICA FOR MORE DETAILS.
- (2) BOLT HOLE LOCATIONS OF SUCTION AND DISCHARGE FLANGES CONFORM TO ANSI B16.5 150 LB STANDARD. FLANGE BOLT HOLES HAVE 1/2" -13 UNC THREADS.
- (3) DIMENSION MAY VARY BASED ON MOTOR MANUFACTURER.
- (4) NEMA MG 1-1993, PART 4 USED FOR REFERENCE.
- (5) SLOTS ARE OPEN ENDED TO FRONT OF FRAME.
- (6) DRAWN PER 52B402899 (MDM1518-2\_KKF25A-\_2).
- (7) SPACER MDM8006, 0.75" HEIGHT AND SLOTTED TO FRONT.


ECO#		DESCRIPTION				DATE	REV. LTR.
PUMP WEIGHT 154 LB		WET-END/BEARING MATERIALS CFRETFE OR PFA W/SIC					
EDT	08	07	04	CJC	1		<b>IF20511</b>
DRAWN	DAY	MO.	YR.	RELEASED	SHEET NO.		
				5 Boynton Rd. Hopping Brook Park Holliston, MA 01746 (508) 429-1440 <a href="http://www.IwakiAmerica.com">www.IwakiAmerica.com</a>			
TITLE						<b>MDM-15182 (25 HP)</b>	<b>A</b>
						Dimensional Drawing	

PART OR DRAWING NO. **IF20510** REV. **A**



PUMP DIMENSIONS (1)															
A	AC (3)	B (3)	D	2E1	2F (4)	G	H1 (5)	H2	H3 (4)	HC (3)	O	P	Q (4)	X	Y
9.84"	7.56"	19.97"	6.25"	6.00"	8.25"/10.00"	0.39"	0.55"	3/8"-16 UNC	0.52"	33.54"	12.75"	4.09"	14.97"	6.50"	4.00"

MODEL	HP/ FRAME	PUMP FLANGES (2)		DIMENSIONS			
		SUCTION	DISCHARGE	K	L	C	M
MDM-15182	15/254TC	1 1/2"	1"	5.00"	3.15"	4.25"	2.48"
	20/256TC						

ECO#		DESCRIPTION				DATE		REV. LTR.
PUMP WEIGHT 154 LB		WET-END/BEARING MATERIALS CFRETFFE OR PFA W/SIC						
EDT	09	07	04	CJC	1			<b>IF20510</b> PART OR DWG. NO.
DRAWN	DAY	MO.	YR.	RELEASED	SHEET NO.			
 www.IwakiAmerica.com		5 Boynton Rd. Hopping Brook Park Holliston, MA 01746 (508) 429-1440						

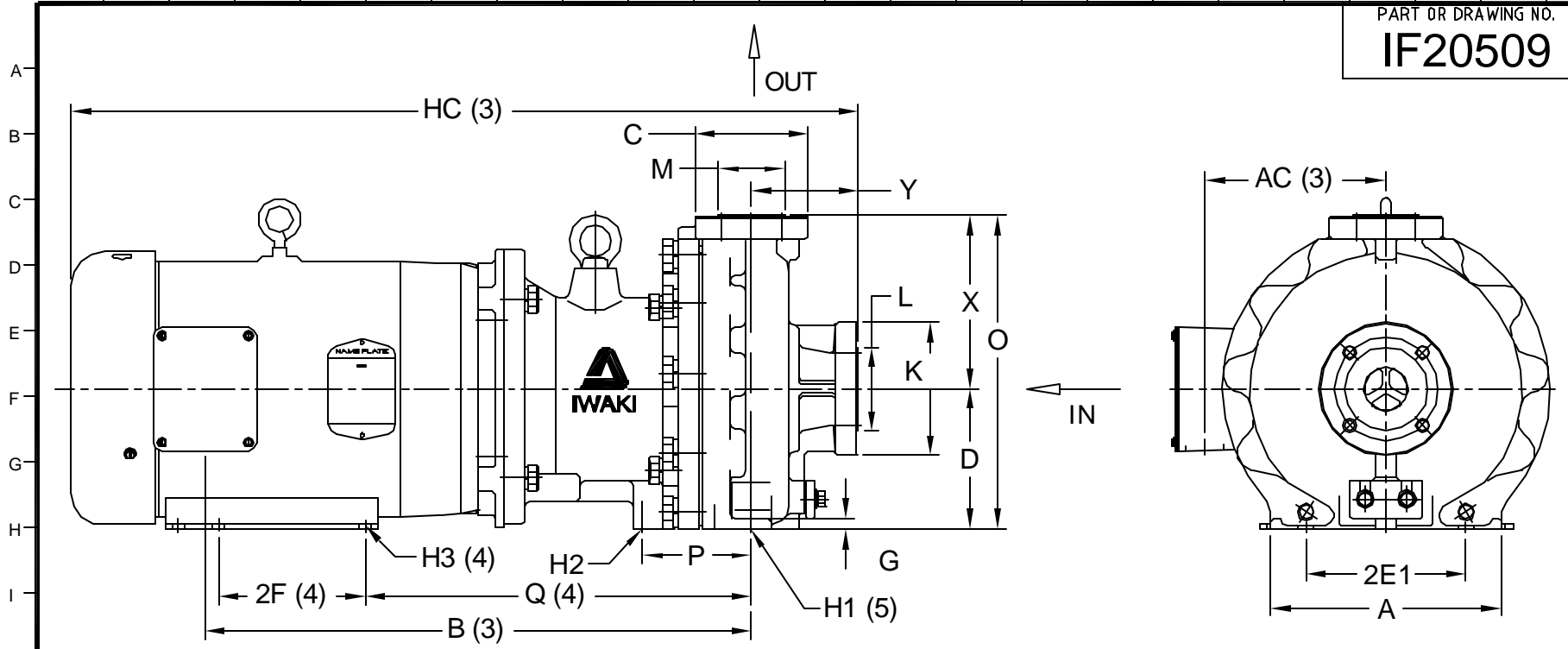
**NOTES AND REFERENCES:**

- (1) ALL DIMENSIONS IN INCHES. ALL TOLERANCES  $\pm .125"$ , CONSULT IWAKI AMERICA FOR MORE DETAILS.
- (2) BOLT HOLE LOCATIONS OF SUCTION AND DISCHARGE FLANGES CONFORM TO ANSI B16.5 150 LB STANDARD. FLANGE BOLT HOLES HAVE 1/2" -13 UNC THREADS.
- (3) DIMENSION MAY VARY BASED ON MOTOR MANUFACTURER.
- (4) NEMA MG 1-1993, PART 4 USED FOR REFERENCE.
- (5) SLOTS ARE OPEN ENDED TO FRONT OF FRAME.
- 6 DRAWN PER 52B402898 (MDM1518-2\_KKF15/20A-\_2)

TITLE **MDM-15182 (15 & 20 HP)** REV. **A**  
Dimensional Drawing


1 2 3 4 5 6 7 8 9 10 11 12 13 14 15 16 17 18 19 20 21 22 23 24 25

PART OR DRAWING NO. **IF20509** REV. **A**



PUMP DIMENSIONS (1)															
A	AC (3)	B (3)	D	2E1	2F (4)	G	H1 (5)	H2	H3 (4)	HC (3)	O	P	Q (4)	X	Y
8.66"	6.79"	20.47"	5.26"	6.00"	5.50"/7.00"	0.39"	0.55"	3/8"-16 UNC	0.41"	29.47"	11.76"	4.09"	14.46"	6.50"	4.00"

MODEL	HP/ FRAME	PUMP FLANGES (2)		DIMENSIONS			
		SUCTION	DISCHARGE	K	L	C	M
MDM-15182	7.5/213TC	1 1/2"	1"	5.00"	3.15"	4.25"	2.48"
	10/215TC						

ECO#	DESCRIPTION				DATE	REV. LTR.
PUMP WEIGHT	WET-END/BEARING MATERIALS					<b>IF20509</b> PART OR DWG. NO.
143 LB	CFRETTE OR PFA W/SIC					
EDT	12	07	04	CJC	1	
DRAWN	DAY	MO.	YR.	RELEASED	SHEET NO.	
		5 Boynton Rd. Hopping Brook Park Holliston, MA 01746 (508) 429-1440 www.IwakiAmerica.com				
TITLE <b>MDM-15182 (7.5 &amp; 10 HP)</b> Dimensional Drawing						<b>A</b> REV.

**NOTES AND REFERENCES:**

- (1) ALL DIMENSIONS IN INCHES. ALL TOLERANCES  $\pm .125"$ , CONSULT IWAKI AMERICA FOR MORE DETAILS.
- (2) BOLT HOLE LOCATIONS OF SUCTION AND DISCHARGE FLANGES CONFORM TO ANSI B16.5 150 LB STANDARD. FLANGE BOLT HOLES HAVE 1/2" -13 UNC THREADS.
- (3) DIMENSION MAY VARY BASED ON MOTOR MANUFACTURER.
- (4) NEMA MG 1-1993, PART 4 USED FOR REFERENCE.
- (5) SLOTS ARE OPEN ENDED TO FRONT OF FRAME.
- 6 DRAWN PER 52B402896 (MDM1518-2\_KKF07/10A-\_2)