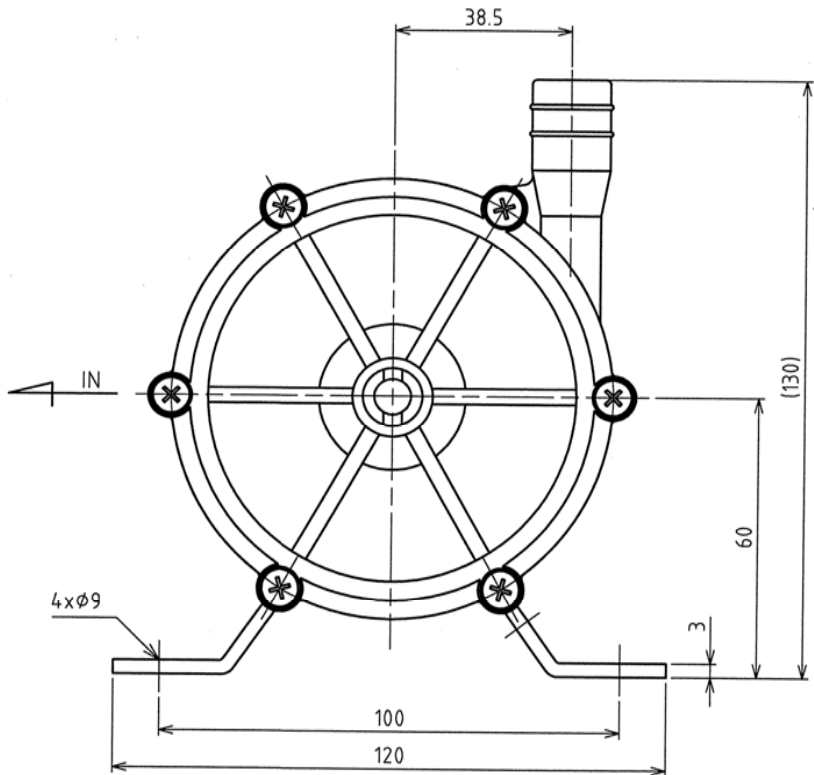
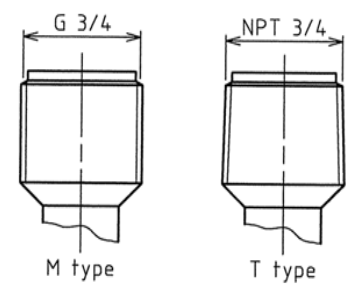
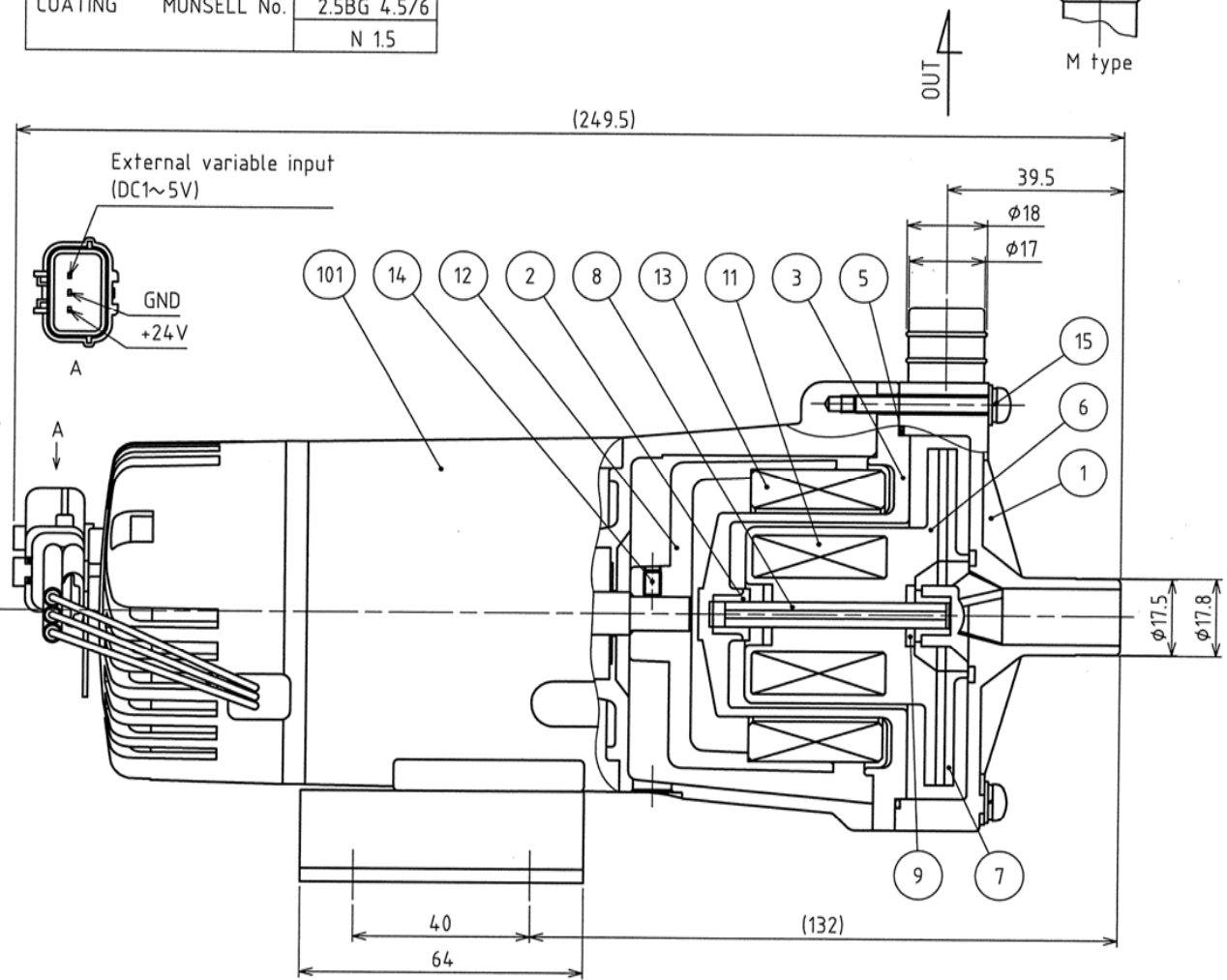


SPECIFICATIONS		
MAX. CAPACITY	l/min	13
MAX. HEAD	m	11.0
VOLTAGE	V	DC24
MOTOR OUTPUT	W	56.5
PHASE	ϕ	3
COATING	MUNSELL No.	2.5BG 4.5/6 N 1.5

No.	PARTS NAME	Q'TY	MATERIALS	REMARKS
1	FRONT CASING	1	GFRPP	
2	BEARING	2	CFRPPS	
3	REAR CASING	1	GFRPP	
5	O RING	1	FKM	OR81x1.78
6	IMPELLER	1	GFRPP	
7	SHROUD	1	GFRPP	
8	SPINDLE	1	ALUMINA CERAMIC	
9	THRUST RING	2	ALUMINA CERAMIC	
11	DRIVEN MAGNET	1	FERRITE MAGNET	
12	MAGNET HOUSING	1	ALUMINUM ALLOY	
13	DRIVE MAGNET	1	FERRITE MAGNET	
14	HEX SOCKET SET SCREW	1	STEEL	M4x6
15	MACHINE SCREW	6	STNLS STL	M4x32 WITH PW.
101	MOTOR	1		



承認 APPROVED BY <i>J. Harigaya</i>	設計 DESIGNED BY <i>T. Yoshizawa</i>	尺度 SCALE N T S	單位 UNIT mm	名称 TITLE IWAKI MAGNET PUMP CONSTRUCTION DRAWING
検図 CHECKED BY <i>K. Osawa</i>	製図 DRAWN BY <i>K. Hoshi</i>	質量 MASS 2.3 kg	型式 MODEL MD-30RZ(M,T)-D24	図番 DWG No. 2A314274
DEC. 26, 2014		IWAKI CO., LTD.		

改訂事項 REVISION	改訂No. REV.No.	日付 DATE	承認 APPROVED BY	設計担当 DESIGNED BY