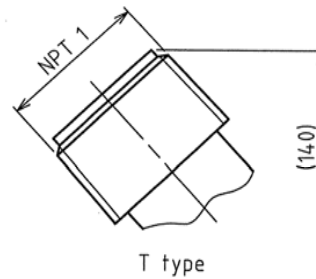
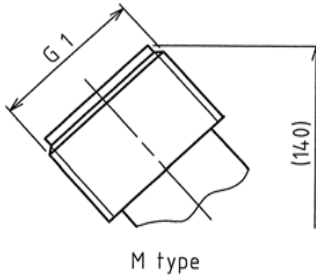
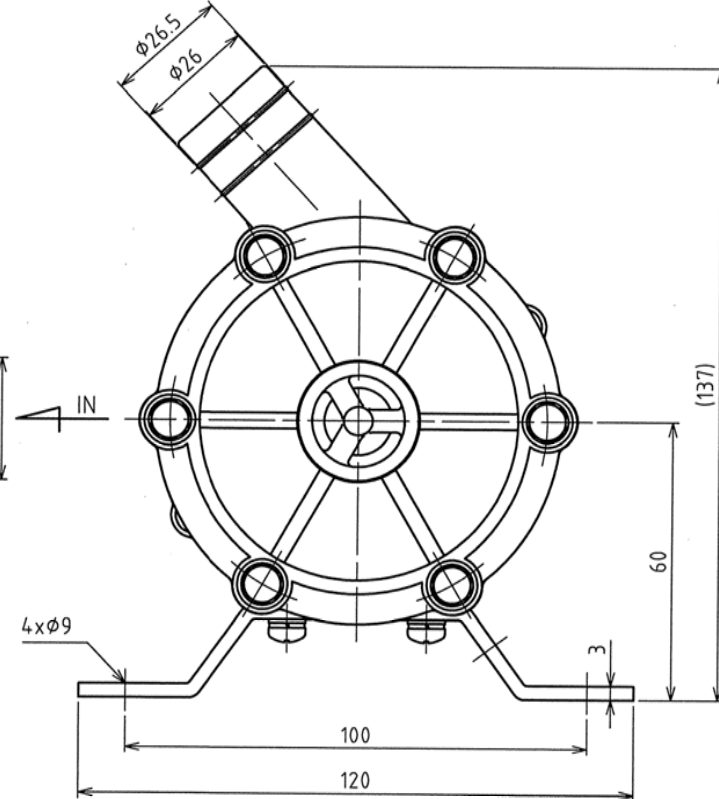
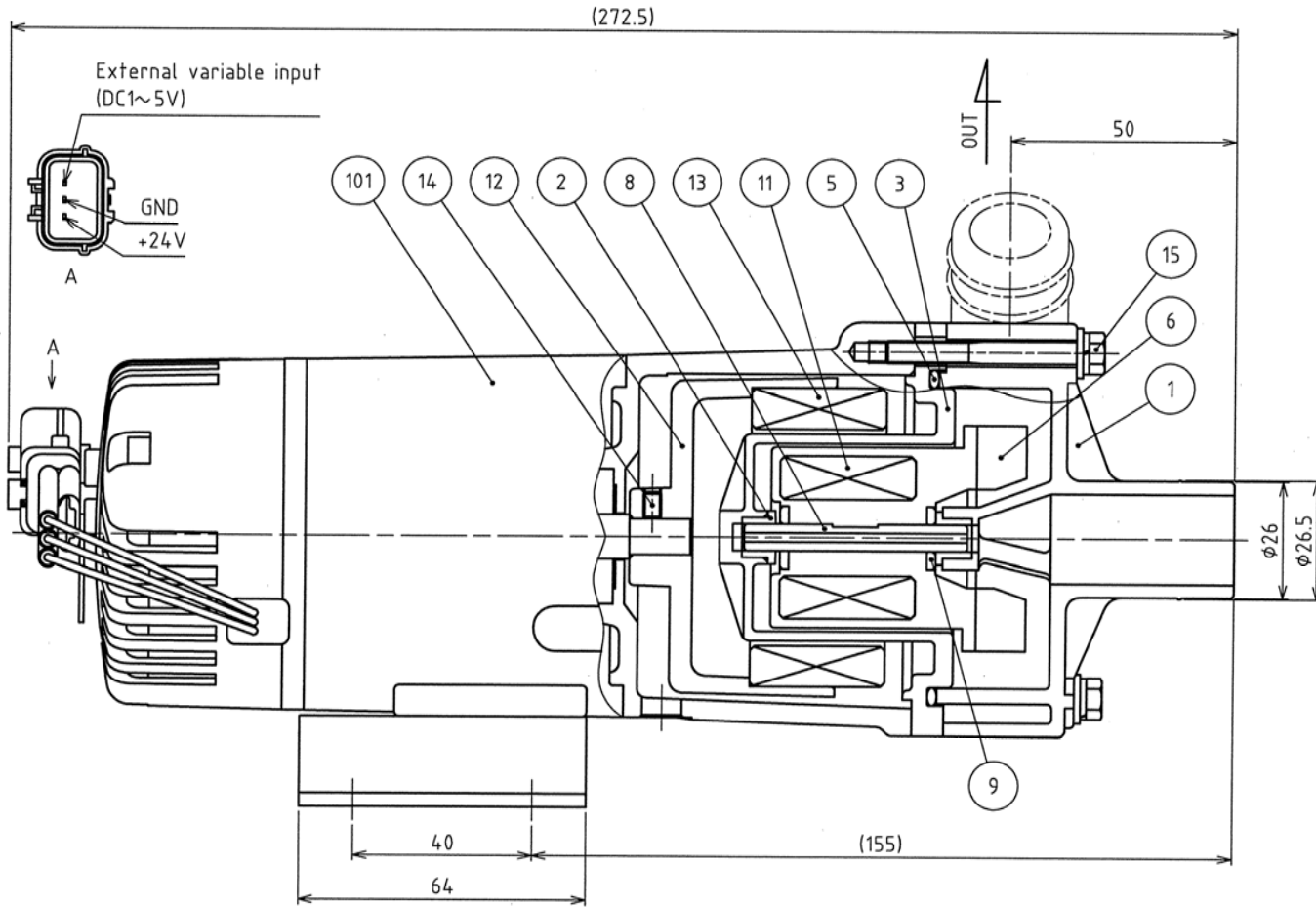


SPECIFICATIONS		
MAX. CAPACITY	l/min	67
MAX. HEAD	m	4.0
VOLTAGE	V	DC24
MOTOR OUTPUT	W	56.5
PHASE	φ	3
COATING	MUNSELL No.	2.5BG 4.5/6
		N 1.5



No.	PARTS NAME	Q'TY	MATERIALS	REMARKS
1	FRONT CASING	1	GFRPP	
2	BEARING	2	PTFE	
3	REAR CASING	1	GFRPP	
5	O RING	1	FKM	JIS B 2401 G65
6	IMPELLER	1	GFRPP	
8	SPINDLE	1	ALUMINA CERAMIC	
9	THRUST RING	2	ALUMINA CERAMIC	
11	DRIVEN MAGNET	1	FERRITE MAGNET	
12	MAGNET HOUSING	1	ALUMINUM ALLOY	
13	DRIVE MAGNET	1	FERRITE MAGNET	
14	HEX SOCKET SET SCREW	1	STEEL	M4x6
15	HEX HEAD BOLT	6	STNLS STL	M5x45 WITH PW
101	MOTOR	1		



APPROVED BY <i>J. Harigaya</i>	DESIGNED BY <i>T. Yoshizawa</i>	SCALE N T S	UNIT mm
CHECKED BY <i>K. Osawa</i>	DRAWN BY <i>K. Hoshi</i>	MASS 2.3 kg	
DEC. 26, 2014		<b>IWAKI CO., LTD.</b>	

TITLE IWAKI MAGNET PUMP  
CONSTRUCTION DRAWING  
MODEL MD-30RX(M,T)-D24

DWG No. **2A314273**

REVISION	REV.No.	DATE	APPROVED BY	DESIGNED BY

RoHS