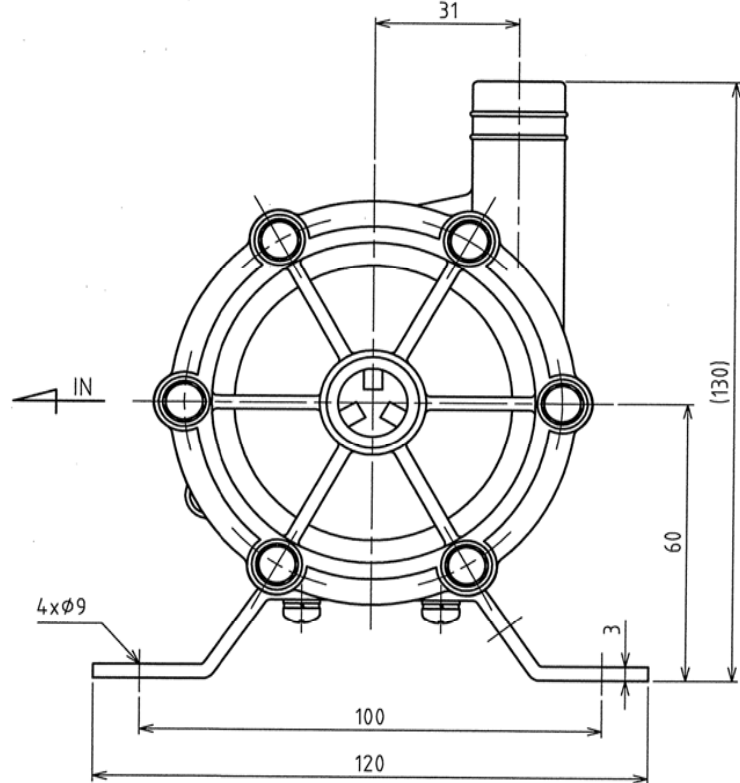
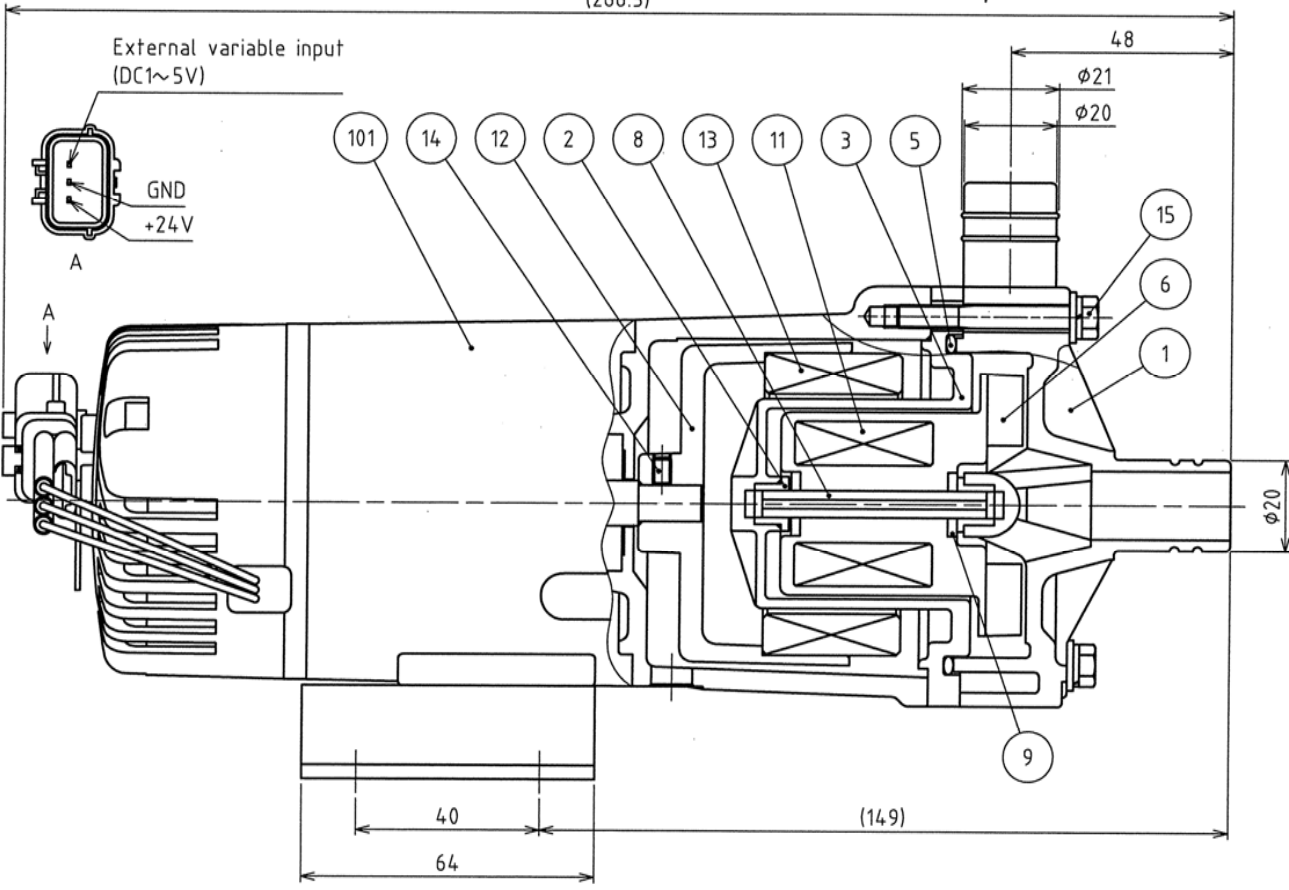


| SPECIFICATIONS |             |                      |
|----------------|-------------|----------------------|
| MAX,CAPACITY   | l/min       | 40                   |
| MAX,HEAD       | m           | 5.0                  |
| VOLTAGE        | V           | DC24                 |
| MOTOR OUTPUT   | W           | 56.5                 |
| PHASE          | φ           | 3                    |
| COATING        | MUNSELL No. | 2.5BG 4.5/6<br>N 1.5 |

| No. | PARTS NAME           | Q'TY | MATERIALS       | REMARKS        |
|-----|----------------------|------|-----------------|----------------|
| 1   | FRONT CASING         | 1    | GFRPP           |                |
| 2   | BEARING              | 2    | PTFE            |                |
| 3   | REAR CASING          | 1    | GFRPP           |                |
| 5   | O RING               | 1    | FKM             | JIS B 2401 G65 |
| 6   | IMPELLER             | 1    | GFRPP           |                |
| 8   | SPINDLE              | 1    | ALUMINA CERAMIC |                |
| 9   | THRUST RING          | 2    | ALUMINA CERAMIC |                |
| 11  | DRIVEN MAGNET        | 1    | FERRITE MAGNET  |                |
| 12  | MAGNET HOUSING       | 1    | ALUMINUM ALLOY  |                |
| 13  | DRIVE MAGNET         | 1    | FERRITE MAGNET  |                |
| 14  | HEX SOCKET SET SCREW | 1    | STEEL           | M4x6           |
| 15  | HEX HEAD BOLT        | 6    | STNLS STL       | M5x40 WITH PW  |
| 101 | MOTOR                | 1    |                 |                |



RoHS

|                                   |                                    |                |            |
|-----------------------------------|------------------------------------|----------------|------------|
| APPROVED BY<br><i>T. Harigaya</i> | DESIGNED BY<br><i>T. Yoshizawa</i> | SCALE<br>N T S | UNIT<br>mm |
| CHECKED BY<br><i>K. Osawa</i>     | DRAWN BY<br><i>K. Hoshi</i>        | MASS<br>2.3 kg |            |
| DEC. 26, 2014                     |                                    |                |            |

TITLE IWAKI MAGNET PUMP  
CONSTRUCTION DRAWING  
MODEL MD-30R(M,T)-D24

DWG No. 2A314272

| REVISION | REV.No. | DATE | APPROVED BY | DESIGNED BY |
|----------|---------|------|-------------|-------------|
|          |         |      |             |             |