

1

2

3

4

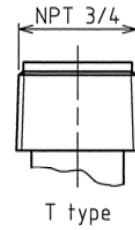
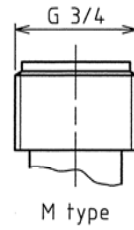
5

6

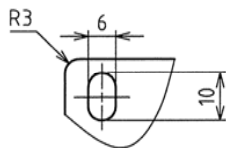
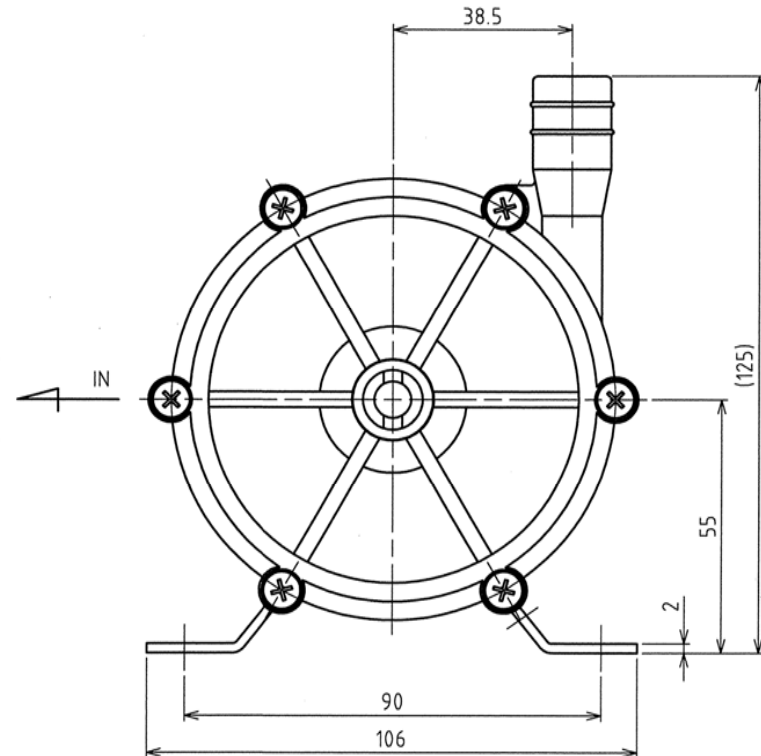
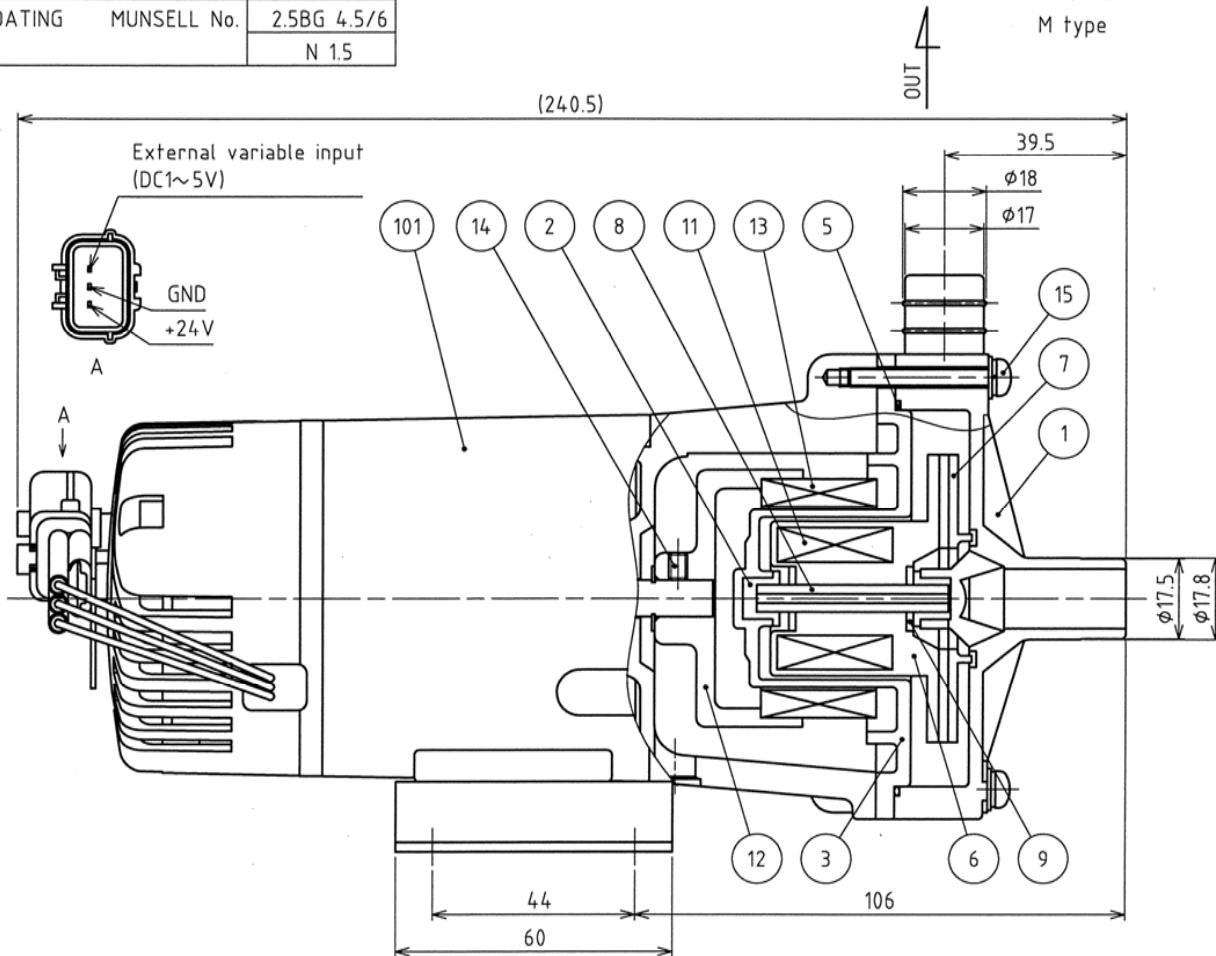
7

8

SPECIFICATIONS		
MAX,CAPACITY	l/min	10
MAX,HEAD	m	7.1
VOLTAGE	V	DC24
MOTOR OUTPUT	W	31.7
PHASE	φ	3
COATING	MUNSELL No.	2.5BG 4.5/6
		N 1.5



No.	名称 PARTS NAME	数QTY	材質 MATERIALS	備考 REMARKS
1	FRONT CASING	1	GFRPP	
2	BEARING	2	CFRPPS	
3	REAR CASING	1	GFRPP	
5	O RING	1	FKM	OR81x1.78
6	IMPELLER	1	GFRPP	
7	SHROUD	1	GFRPP	
8	SPINDLE	1	ALUMINA CERAMIC	
9	THRUST RING	2	ALUMINA CERAMIC	
11	DRIVEN MAGNET	1	FERRITE MAGNET	
12	MAGNET HOUSING	1	ALUMINUM ALLOY	
13	DRIVE MAGNET	1	FERRITE MAGNET	
14	HEX SOCKET SET SCREW	1	STEEL	M4x6
15	MACHINE SCREW	6	STNLS STL	M4x32 WITH PW
101	MOTOR	1		



APPROVED BY <i>T. Harigaya</i>	DESIGNED BY <i>T. Yoshizawa</i>	SCALE N T S	UNIT mm	TITLE IWAKI MAGNET PUMP CONSTRUCTION DRAWING MODEL MD-20RZ(M,T)-D24 DWG No. 2A314271
CHECKED BY <i>K. Osawa</i>	DRAWN BY <i>K. Hoshi</i>	MASS 1.8 kg		
FEB. 2, 2015		IWAKI CO.,LTD.		

REVISION	REV.No.	DATE	APPROVED BY	DESIGNED BY

1

2

3

6

7

8