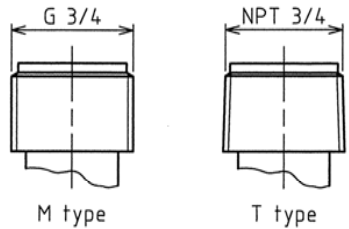


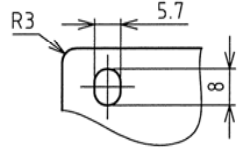
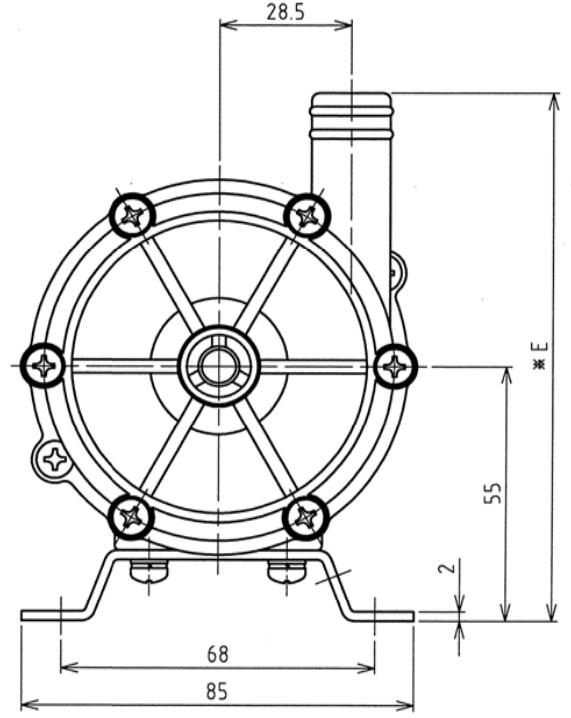
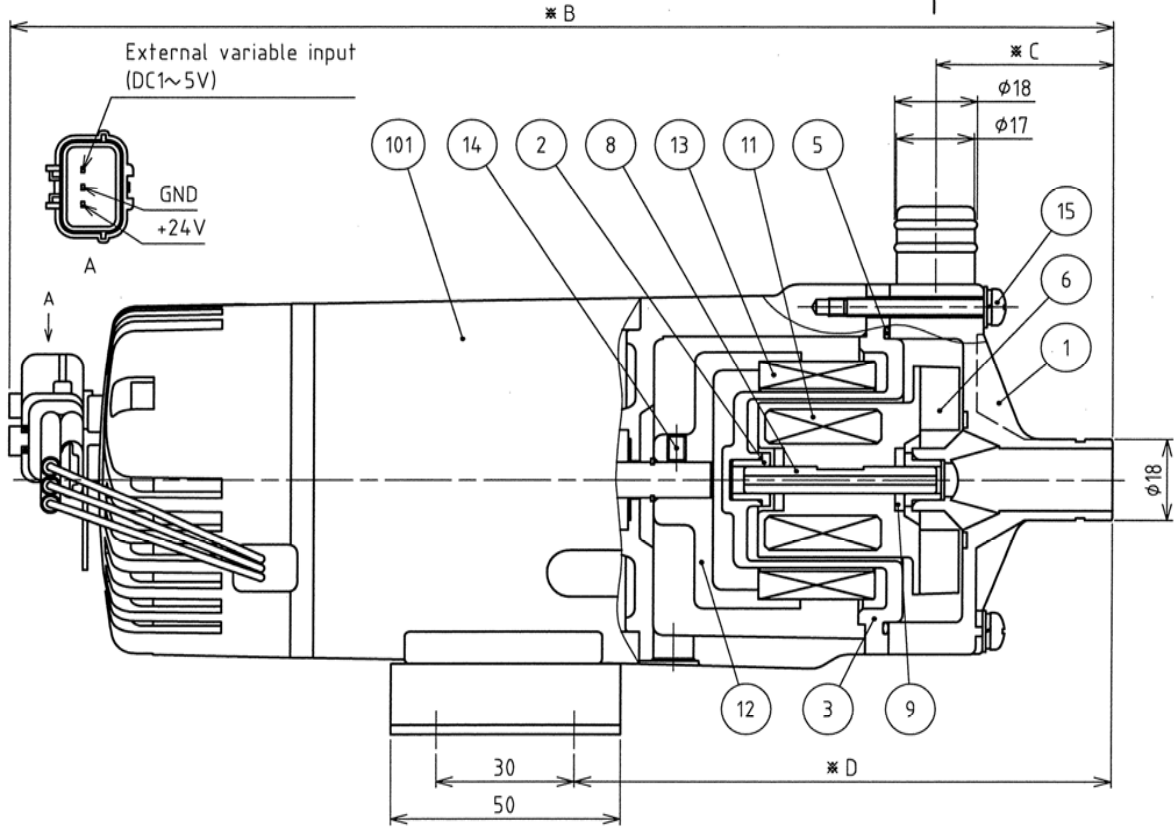
SPECIFICATIONS		
MAX,CAPACITY	l/min	27
MAX,HEAD	m	4.3
VOLTAGE	V	DC24
MOTOR OUTPUT	W	31.7
PHASE	$\phi$	3
COATING	MUNSELL No.	2.5BG 4.5/6 N 1.5

\* MODEL B C D E

MD-20R-D24	(240)	38.5	(116.5)	(115)
MD-20RM-D24	(234.5)	33	(111)	(116.3)
MD-20RT-D24	(234.5)	33	(111)	(116.3)



No.	名称 PARTS NAME	数QTY	材質 MATERIALS	備考 REMARKS
1	FRONT CASING	1	GFRPP	
2	BEARING	2	PTFE	
3	REAR CASING	1	GFRPP	
5	O RING	1	FKM	AS568-037
6	IMPELLER	1	GFRPP	
8	SPINDLE	1	ALUMINA CERAMIC	
9	THRUST RING	2	ALUMINA CERAMIC	
11	DRIVEN MAGNET	1	FRRITE MAGNET	
12	MAGNET HOUSING	1	ALUMINUM ALLOY	
13	DRIVE MAGNET	1	FERRITE MAGNET	
14	HEX SOCKET SET SCREW	1	STEEL	M4x6
15	MACHINE SCREW	6	STNLS STL	M4x32 WITH PW
101	MOTOR	1		



APPROVED BY <i>J. Harigaya</i>	DESIGNED BY <i>T. Yoshizawa</i>	SCALE N T S	UNIT mm
CHECKED BY <i>K. Osawa</i>	DRAWN BY <i>K. Hoshi</i>	MASS 1.8 kg	
FEB . 3 , 2015		<b>IWAKI CO.,LTD.</b>	

TITLE IWAKI MAGNET PUMP  
CONSTRUCTION DRAWING  
MODEL MD-20R(M,T)-D24

DWG No. **2A314269**

MARK	REVISION	REV.No.	DATE	APPROVED BY	DESIGNED BY
1					
2					
3					